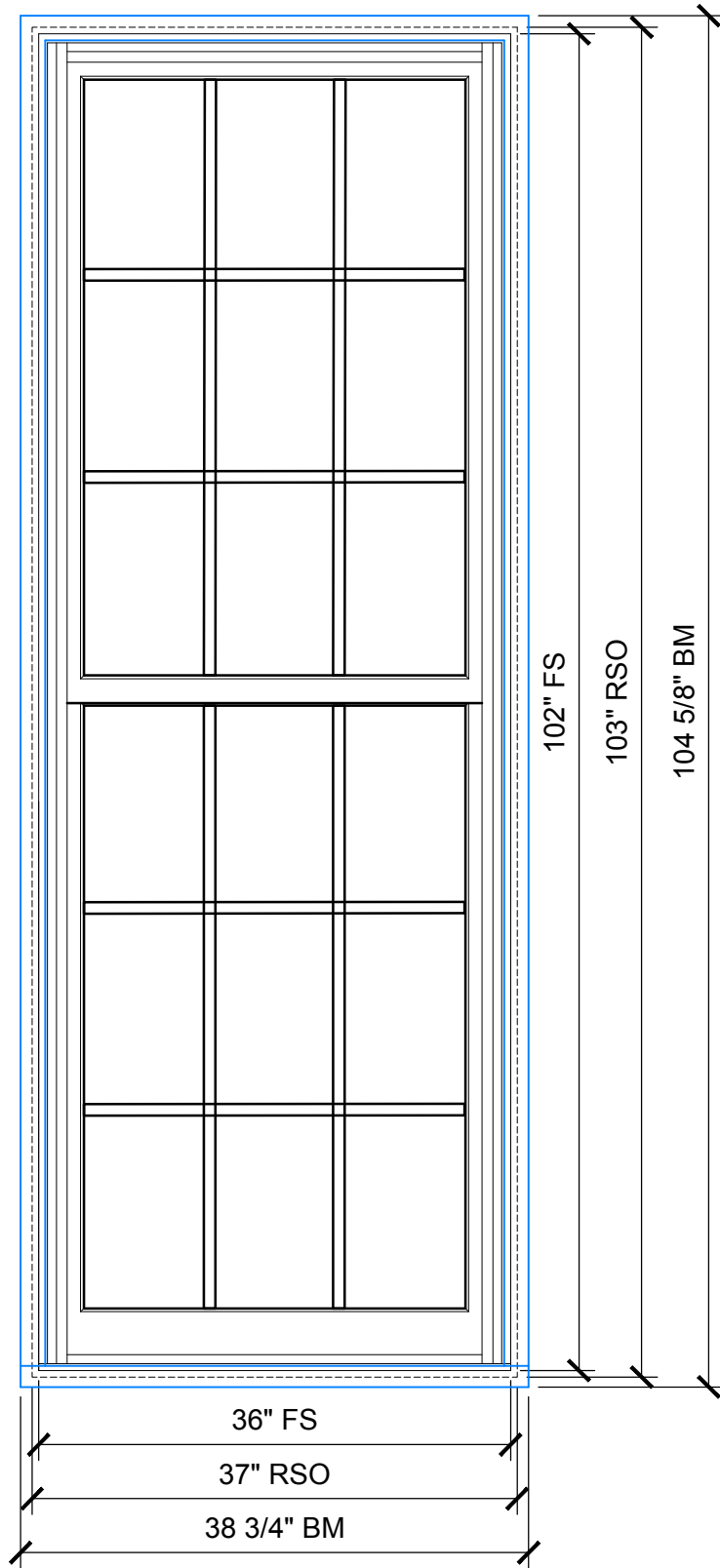
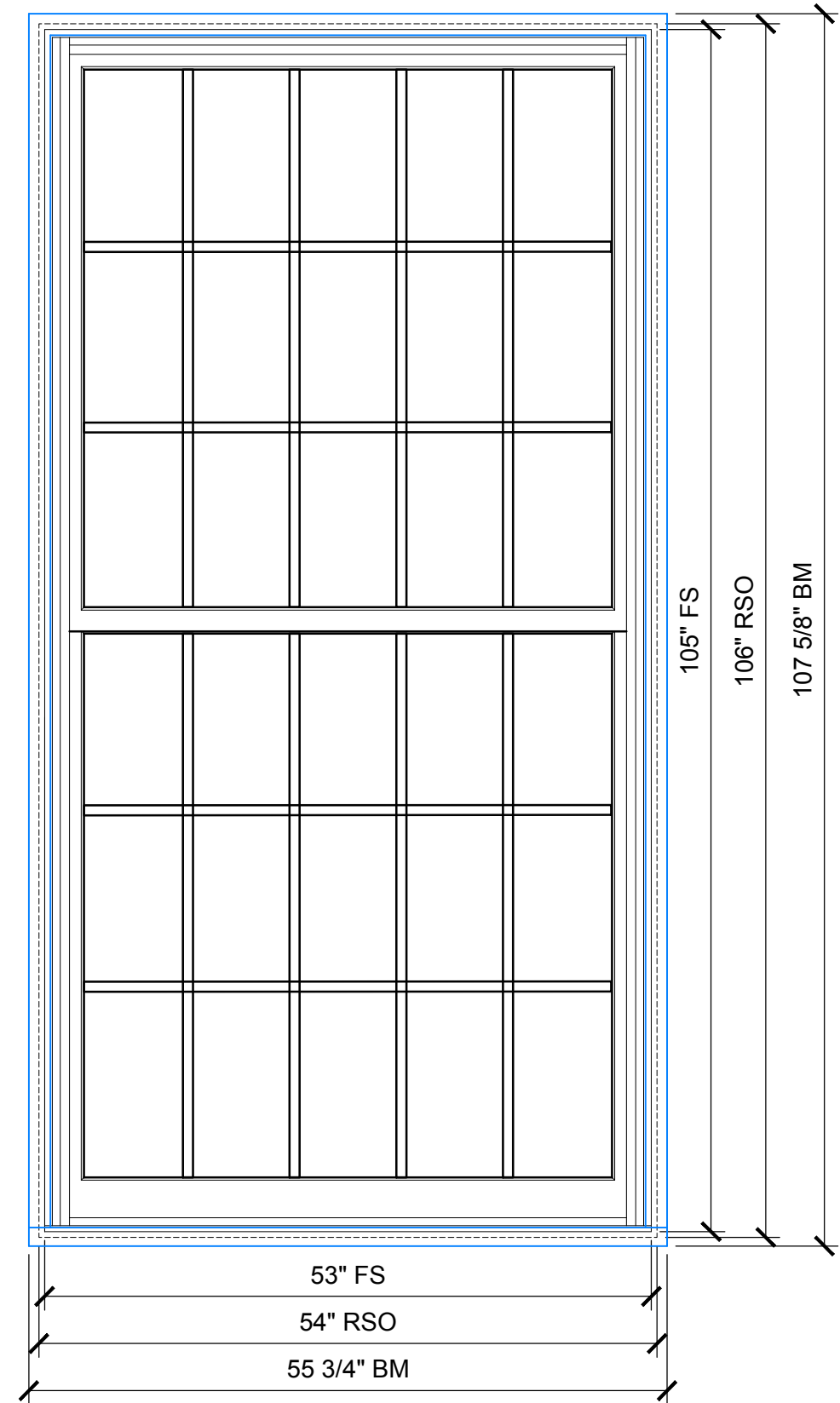


W1

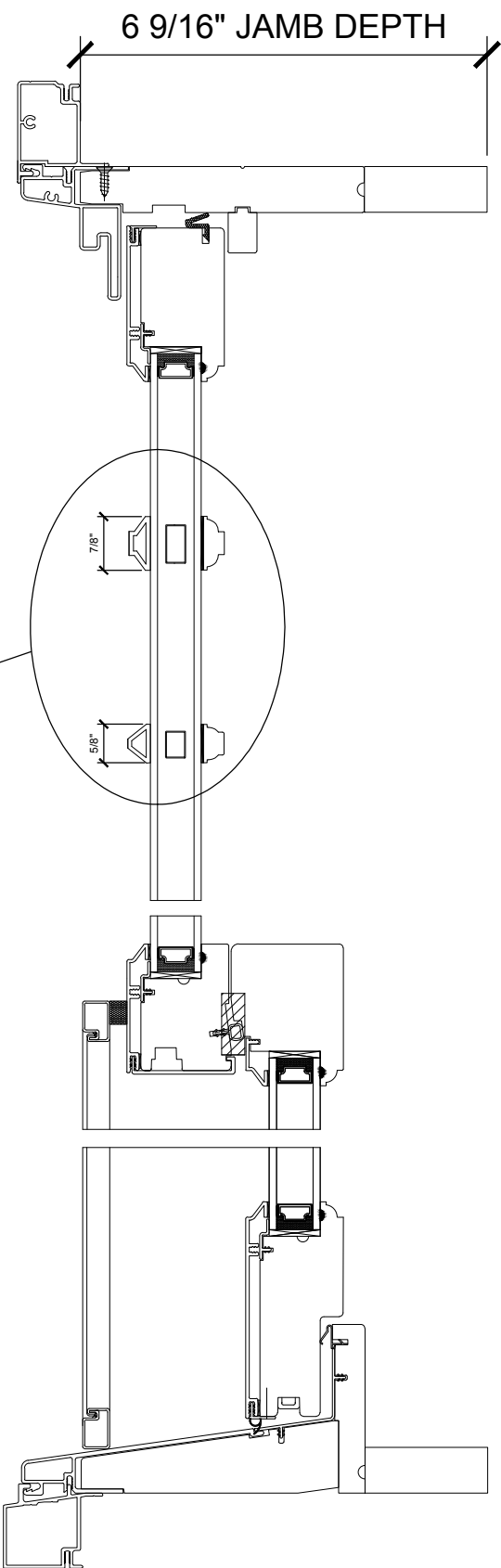


W2

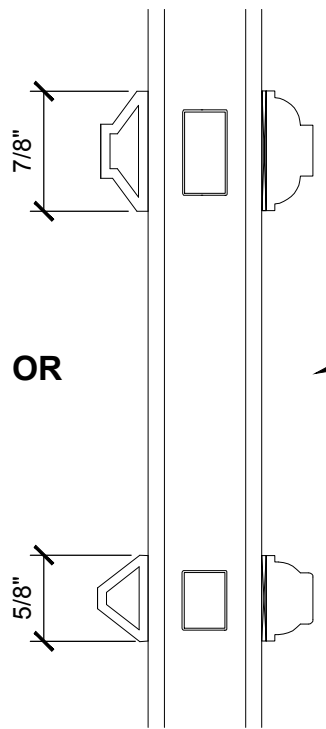


W3

REVISION DATE: MM/DD/YY	BY RM	REVISION DESCRIPTION: INITIAL RELEASE	REV A
RIDLEY WINDOWS & DOORS		PROJECT: SUDDABY PUBLIC SCHOOL	
		171 FREDERICK ST KITCHENER ON	
DRAWING: ELEVATION DETAILS			
DWG DATE: 03/15/21	DRAWN BY: RM	SCALE: NTS	PAGE: 1/2
FULL FILE NAME: Y:\2021 PROJECTS\SUDDABY PUBLIC SCHOOL_SS			

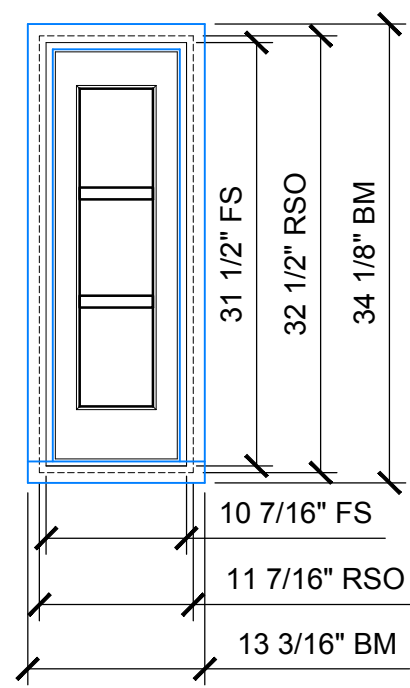


TYPICAL HUNG WINDOW SECTION (NOT TO SCALE)

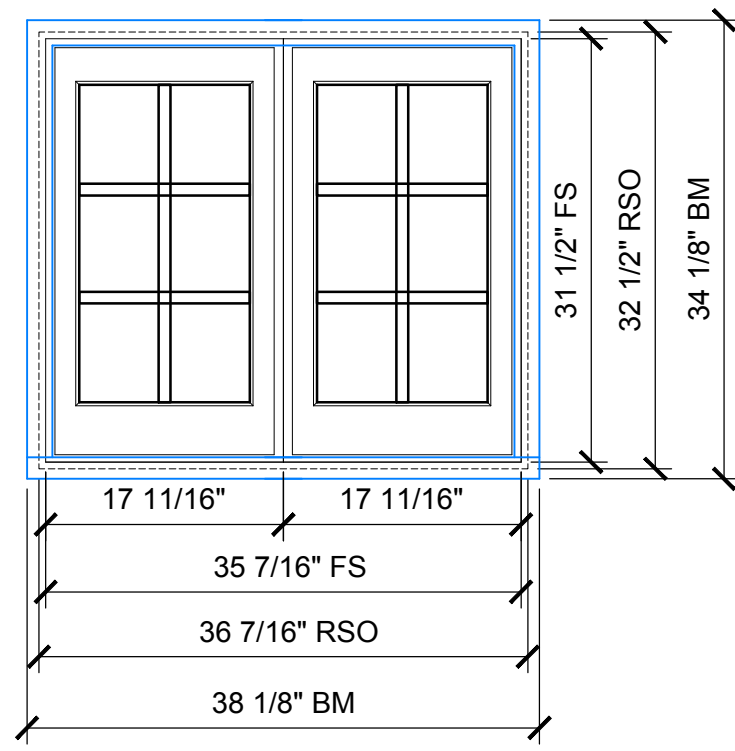


OR

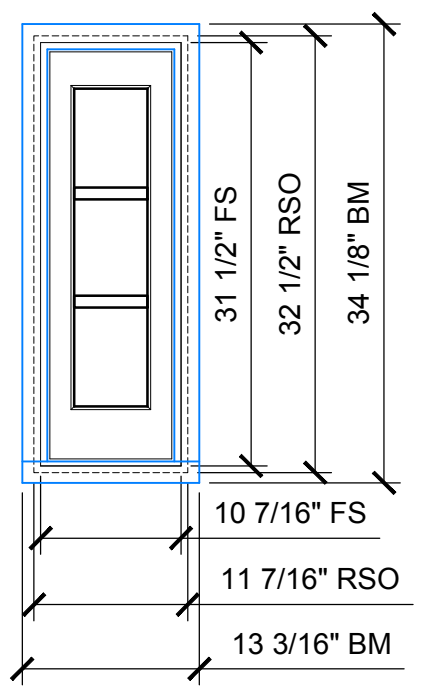
GRILLE BAR OPTIONS



W4



W4



W4

REVISION DATE: MM/DD/YY	BY RM	REVISION DESCRIPTION: INITIAL RELEASE	REV A
		PROJECT: SUDDABY PUBLIC SCHOOL	
		171 FREDERICK ST KITCHENER ON	
DRAWING: ELEVATION DETAILS		DWG DATE: 03/15/21	DRAWN BY: RM
		SCALE: NTS	PAGE: 2/2
FULL FILE NAME: Y:\2021 PROJECTS\SUDDABY PUBLIC SCHOOL_SS			